



Z.I.S. Kunststoff GmbH | Industriestr. 15, DE-33184 Altenbeken-Buke, SRN | [www.zis-kunststoff.com](http://www.zis-kunststoff.com) | [info@zis-kunststoff.de](mailto:info@zis-kunststoff.de) | ph.: +49(0)5255 / 9850  
 Z.I.S. Kunststoff GmbH | Květkovická 1527, CZ-76361 Napajedla, CZ | [www.zis-plastics.cz](http://www.zis-plastics.cz) | [info@zis-plastics.cz](mailto:info@zis-plastics.cz) | mob.: +420 733 113 368

*We protect your cables*

## Cable clamps ZIS catalogue sheet



### MAKING OF CABLE CLAMPS

<b>Application</b>	For the short circuit proof mounting of single and multicore low, medium and high voltage cables.
<b>Type</b>	single, trefoil, universal
<b>Mechanical strength</b>	up to 27,5 kN
<b>Short-circuit strength</b>	tested up to $I_d=86\text{kA}$
<b>Temperature range</b>	from $-40^{\circ}\text{C}$ to $+120^{\circ}\text{C}$ , ( $225^{\circ}\text{C}$ ) momentarily
<b>Tensile strength</b>	min. $120\text{ N/mm}^2$
<b>Recommended distance of each other</b>	500mm
<b>Material</b>	Polyamid PA6 GV 30, black color with glass fiber, resistant to oils, UV, ozone, salt, moisture, acids and even nuclear radiation, UL94 self extinguishing, Halogen-free, non magnetic / non conductive, non oxidizing / non corrosive, no sharp angles, recyclable, lifetime warranty
<b>Quality marks</b>	Tested by different laboratories such as Kema DNV GL, The Volta lab in Grenoble (Schneider electric), The underwriters laboratories U.S.A. (UL), SGS Brussels and the Damsta laboratory (Eaton)

# Single cable clamps SEZ for individual cables and insulated

## SEZ 15-26



CABLE (mm)	STRENGTH (kN)	STACKABILITY (YES/NO)	HOLE SPACING (mm)	THREADED ROD (mm)	CARTON (pcs)
15-26	> 8	YES	50	100 (M10)	300

## SEZ 26-38



CABLE (mm)	STRENGTH (kN)	STACKABILITY (YES/NO)	HOLE SPACING (mm)	THREADED ROD (mm)	CARTON (pcs)
26-38	> 12	NO	60	100 (M10)	125

## SEZ 36-52



CABLE (mm)	STRENGTH (kN)	STACKABILITY (YES/NO)	HOLE SPACING (mm)	THREADED ROD (mm)	CARTON (pcs)
36-52	> 12	NO	75	100 (M10)	100

## SEZ 50-75



CABLE (mm)	STRENGTH (kN)	STACKABILITY (YES/NO)	HOLE SPACING (mm)	THREADED ROD (mm)	CARTON (pcs)
50-75	> 12	NO	95	120 (M10)	144

## SEZ 75-100



CABLE (mm)	STRENGTH (kN)	STACKABILITY (YES/NO)	HOLE SPACING (mm)	THREADED ROD (mm)	CARTON (pcs)
75-100	> 20	NO	150	140 (M12)	32

## SEZ 100-135



CABLE (mm)	STRENGTH (kN)	STACKABILITY (YES/NO)	HOLE SPACING (mm)	THREADED ROD (mm)	CARTON (pcs)
100-135	> 20	NO	175	170 (M12)	19

## SEZ 135-170



CABLE (mm)	STRENGTH (kN)	STACKABILITY (YES/NO)	HOLE SPACING (mm)	THREADED ROD (mm)	CARTON (pcs)
135-170	> 20	NO	210	240 (M12)	12

## POLEFIX



# Trefoil cable clamps TRZ for storing cables in a bundle

## TRZ 27-38



CABLE (mm)	STRENGTH (kN)	STACKABILITY (YES/NO)	HOLE SPACING (mm)	THREADED ROD (mm)	CARTON (pcs)
27-38	> 25	YES	125	140 (M10)	36

## TRZ 38-51



CABLE (mm)	STRENGTH (kN)	STACKABILITY (YES/NO)	HOLE SPACING (mm)	THREADED ROD (mm)	CARTON (pcs)
38-51	> 25	ANO	145	140 (M10)	36

## TRZ 51-69



CABLE (mm)	STRENGTH (kN)	STACKABILITY (YES/NO)	HOLE SPACING (mm)	THREADED ROD (mm)	CARTON (pcs)
51-69	> 25	YES	170	170 (M10)	16

## TRZ 69-90



CABLE (mm)	STRENGTH (kN)	STACKABILITY (YES/NO)	HOLE SPACING (mm)	THREADED ROD (mm)	CARTON (pcs)
69-90	> 27,5	YES	215	280 (M12)	16

## TRZ 90-118



CABLE (mm)	STRENGTH (kN)	STACKABILITY (YES/NO)	HOLE SPACING (mm)	THREADED ROD (mm)	CARTON (pcs)
90-118	> 27,5	YES	270	300 (M12)	9

## TRZ 118-150



CABLE (mm)	STRENGTH (kN)	STACKABILITY (YES/NO)	HOLE SPACING (mm)	THREADED ROD (mm)	CARTON (pcs)
118-150	> 27,5	YES	340	380 (M12)	6



# Universal cable clamps IMZ for line cable fastening

## IMZ 3x(12-32)

CABLE (mm)	CONNECTIVITY (YES/NO)	STACKABILITY (YES/NO)	HOLE SPACING (mm)	THREADED ROD (mm)	CARTON (pcs)
12-32	YES	YES	74	140 (M10)	100



## IMZ 4x(12-32)

CABLE (mm)	CONNECTIVITY (YES/NO)	STACKABILITY (YES/NO)	HOLE SPACING (mm)	THREADED ROD (mm)	CARTON (pcs)
12-32	YES	YES	147	140 (M10)	90



## IMZ 4x(32-48)

CABLE (mm)	CONNECTIVITY (YES/NO)	STACKABILITY (YES/NO)	HOLE SPACING (mm)	THREADED ROD (mm)	CARTON (pcs)
32-48	YES	YES	170	220 (M10)	50



## IMZ 4x3x(27-38)

CABLE (mm)	CONNECTIVITY (YES/NO)	STACKABILITY (YES/NO)	HOLE SPACING (mm)	THREADED ROD (mm)	CARTON (pcs)
27-38	YES	YES	170	220 (M10)	30



# Cable clamps ZIS accessories

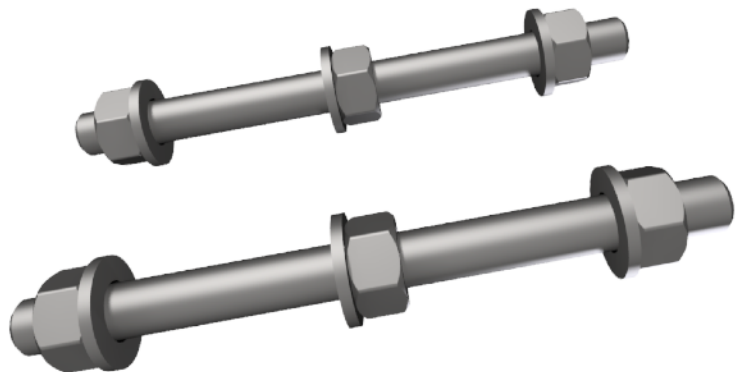
## Cable hooks

for temporary storage of cables, load of 360kg



## Direct connection of cable clamps - galvanized steel / stainless steel

mounting set: 2x threaded rod M8, M10, M12 (70mm - 380mm), 6x washers, 6x nuts



## Mounting of cable clamps on the rail - galvanized steel

mounting set: 1x rail (200mm - 400mm), 2x threaded rod M8, M10, M12 (70mm - 380mm), 4x washers, 4x nuts

